

HOME THEATER PC CHASSIS

Model: HTPC 8000

Wooden HTPC Chassis

Quick Installation Guide

(U.S. & Canada Only)
Version 1.0

DISCLAIMER

No warranty or representation, either expressed or implied, is made with respect to the content of this documentation, its quality, performance, merchantability, or fitness for a particular purpose. Information presented in this documentation has been carefully checked for reliability; however, no responsibility is assumed for inaccuracies. The information contained in this documentation is subject to change without notice. In no event will nMedia will be liable for direct, indirect, special, incidental, or consequential damages arising out of the use or inability to use this product or documentation, even if advised of the possibility of such damages.

TRADEMARKS

All trademarks used in this user guide are the property of their respective owners.

COPYRIGHT

© 2004-2009 by NMEDIA SYSTEM, INC. All rights reserved. No part of this publication may be reproduced, transmitted, transcribed, stored in a retrieval system, or translated into any language in any form by any means without the written permission of NMEDIA SYSTEM, INC.

TECHNICAL SUPPORT

If a problem arises with your system and no solution can be obtained from this user guide, please contact your place of purchase or local dealer.

REVISION HISTORY

V 1.0 July, 2009

Table of Contents

Overview	2
Standard Components Equipped	2
Other Suggested Components	2
Installation Flowchart (Basic Procedures)	2
Installation Tools	2
Step 1: Remove top cover and remove the optical drive bracket	3
Step 2: Install Motherboard and connect cables	3
Step 3: Install Hard Drive and Optical Drive	3
Step 4: Connect Cables	4
Step 5: Other Component Installation	5
Reference	6
Visit our website for more detail installation in PDF format.	6
Safety Instructions	6
RMA Return Policy	6

Note:

This user guide is designed to provide the user a quick reference for chassis setup. We assume you need the information regarding how to assemble the system, such as Motherboard, CPU, RAM Memory, Hard Drive, DVD ROM, Operating System..., etc. Based on this assumption, we make this user guide of quick installation guide. Please follow the description step by step to install the components. If you have any question in assembling the system, please refer your questions to the appropriate Technical Support of the component vendors.

4. Do not install optional upgrade, i.e. video card, TV tuner card etc. Use everything on board (video & sound) to configure system and install operation system. After then, install the upgrades one by one and restart the system on every step to ensure component compatibility and save times of troubleshooting when issue arises.
5. To ensure front access ports and card reader work properly, check cable connection accuracy & Bios setting if needed.
6. Case fan is quiet. If you hear abnormal loud noise, take off the fan to hear the noise again to ensure not fan defectiveness, then re-install with properly screw installation to achieve minimum noise.

Step 1: Remove top cover and remove the optical drive bracket

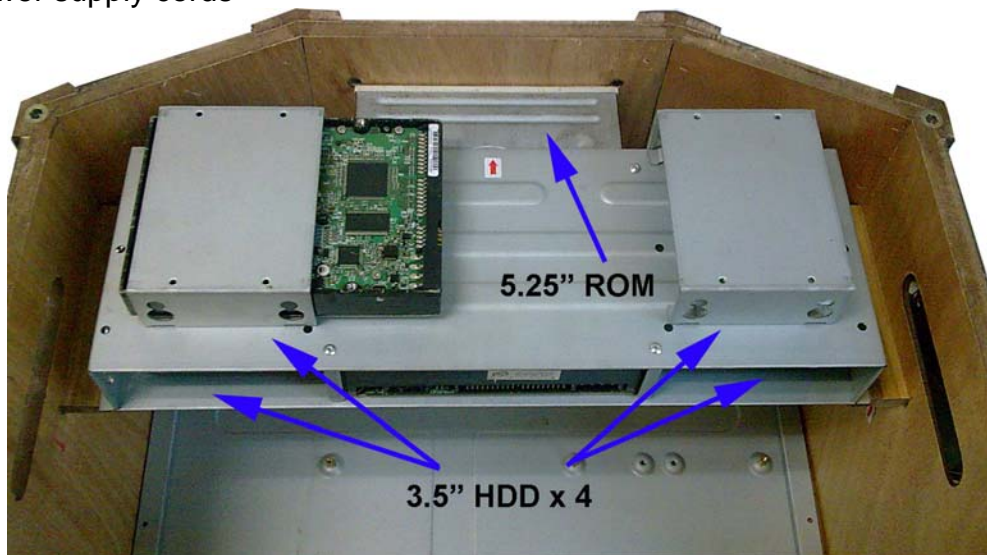
1. Take off the 4 screws and move the top cover, put it aside on a safety place to avoid drop and fall to damage the wood cover.
2. Take off the two screws that hold the optical/hard drive bracket.
3. Note the arrow pointing is the front "F" facing when slotting back the rack after installing the optical drive & hard drive.

Step 2: Install Motherboard and connect cables

1. Follow motherboard user manual to connect cables, CPU, memory etc...
2. Install power supply

Step 3: Install Hard Drive and Optical Drive




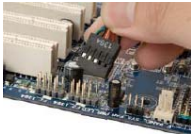


1. Install Optical Drive. See reference picture P1. Up-side-down the rack and secure the 4 screws.
2. Install hard drives. You can install up to 4 hard drives in this model. But, you have to follow the exact sequence to install them. First, take the two slots that are next to the optical drive first (P2), then, use the two slots that are on top (P3). If you don't follow, the upper drives will block the screw holes for the bottom drive slots.
3. Install Optical Drive Bracket back to the case (P1)
4. Lock the bracket
5. Connect power supply cords








Step 4: Connect Cables

Following your motherboard user guide to:

		<p>Connect Card Reader & USB Ports</p> <ul style="list-style-type: none"> • There are two 10 pins USB connectors. One for the card reader and USB, the other for the other two USB ports • Match the pin label (on connector) and your board user guide USB port layout for accuracy. Red wire is always = "+5V"; Black = "GND"
		<p>Connect IEEE 1394 Port</p> <ul style="list-style-type: none"> • There is one 10 pins 1394 connector • Match the pin label (on connector) and your board user guide 1394 port layout for accuracy. (Not all board has onboard 1394 port, leave it unplug if you don't have it)
		<p>Connect HD Audio and e SATA Port</p> <ul style="list-style-type: none"> • There is one SATA connector, connect it to your onboard SATA port <p>Check your board to see if it has HD onboard port that supports HD audio</p> <ul style="list-style-type: none"> • If yes, plug the HD connector to your HD onboard audio port • If no, plug it to your AC 97 chipset onboard

		audio port using the Y tale connector
	<ul style="list-style-type: none"> • Connect Power Switch connector to your onboard port • Connect Reset Switch connector to your onboard port • Connect HDD Power Switch connector to your onboard port 	
	<p>LCD Module</p> <p>If you purchase the LCD programmable module. Simply take off the black label that blocks the LCD window, install it behind the panel. No need to take off the panel, just take out the Optical bracket, you can install the module directly inside the case.</p>	
	<p>Organize the cables with provided tied cables.</p> <p>See picture for reference.</p>	

Step 5: Other Component Installation

For other components, including hard drive connection; RAM; CPU & cooler; optical drive, operating system, video card, sound card, TV tuner card and power supply connection etc., follow the user manuals and motherboard manual instruction.

Specifications

Model	HTPC 8000
Color	Red wood
Dimension	Case: 19.7"(W) x 14.3"(H) x 11"(D)
Material	Wood and Steel
Motherboard	Support ATX & Micro-ATX
Power Supply	Support ATX PSU (not included)
Drive Bays	External 5.25" Bay x 1 Internal 3.5" Bay x 4
Expansions	7 Slots / Full Size
Cooling	140mm Case Fan x 1
Front Connection	eSATA x 1 for your external hard drive High Definition Audio x 2 (support AC 97) All in one Card Reader (SDHC 2.0 compliance - high capacity & speed) IEEE 1394 x 1 USB 2.0 x 3
LCD Display (Optional, not included)	20X2 Programmable LCD display module with Internal USB connector, support all Window, Window Media Center Edition, Vista and Vista Media Center Edition operating system.

Reference

Visit our website for more detail installation in PDF format.

http://www.nmediapc.com/HTPC 8000/Quick_Guide_8000.pdf

Technical Support: support@nmediapc.com

Safety Instructions

- Always read the step by step installation instruction to protect your components
- Keep the user guide for future reference
- Keep away from humidity, liquid and temperature above 60c (140 f) environment
- Make sure the voltage of the power supply and adjust properly 110/230V
- Always unplug the power cord before inserting any add-on devices

Get the system checked by service personnel if below happens:

- The power cable is damage
- Liquid has penetrated into the system
- Dropped and damaged

RMA Return Policy

- All accessories and cables must be returned as they were shipped
- Carefully re-packaging is needed to avoid shipping damages
- All warranties are subject to properly uses. Any human power damages return may be rejected according to warranty terms and conditions

Copyright © 2004-2009 NMEDIA SYSTEM, INC. All Right Reserved!